



KeiWay Electrical Engineering Ltd is a professional marine electrical engineering company specialising in the concept and detailed design of marine electrical systems for all types of seagoing vessel. KeiWay Electrical Engineering Ltd offers the following marine electrical engineering services: -

Design.

Control Panel & Switchboard Manufacturing.

Analysis.

Consultancy and Survey Services.

Technical Authoring.

Electrical Commissioning/Testing Services.

Thermographic Survey.





With you all the way

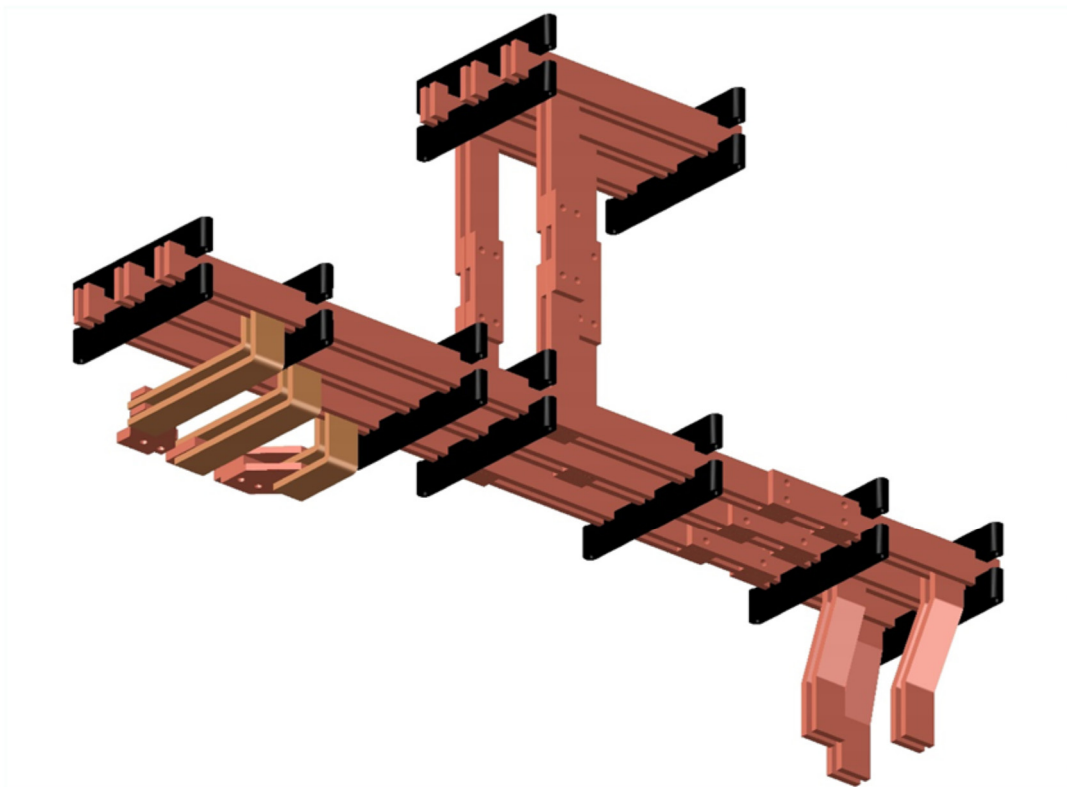
- KeiWay Electrical Engineering Ltd was established in 2005 by two brothers both of whom served indentured apprenticeships under British Shipbuilding whilst employed by Appledore Shipbuilders of Devon in the UK. Having both served their apprenticeships the brothers continued to work at the shipyard both achieving managerial roles between 1984 and 2003 and were involved in the construction of forty nine new build vessels, during this time gaining extensive experience of all aspects of marine electrical engineering. Sadly the shipyard closed in 2003 no longer able to compete financially on an equal footing with emerging eastern European and Asian shipyards.
- The brothers, determined not to let their extensive knowledge and experience in marine electrical engineering go to waste formed KeiWay Electrical Engineering in order to provide electrical design, consultancy and commissioning services to all sectors of the marine industry.
- Since its inception KeiWay Electrical Engineering Ltd has strived to provide a high quality service at a competitive price to its customers with attention to detail, quality and professionalism being our primary concerns.





KeiWay Electrical Engineering Ltd can provide an all encompassing professional marine electrical design service including but not limited to the following: -

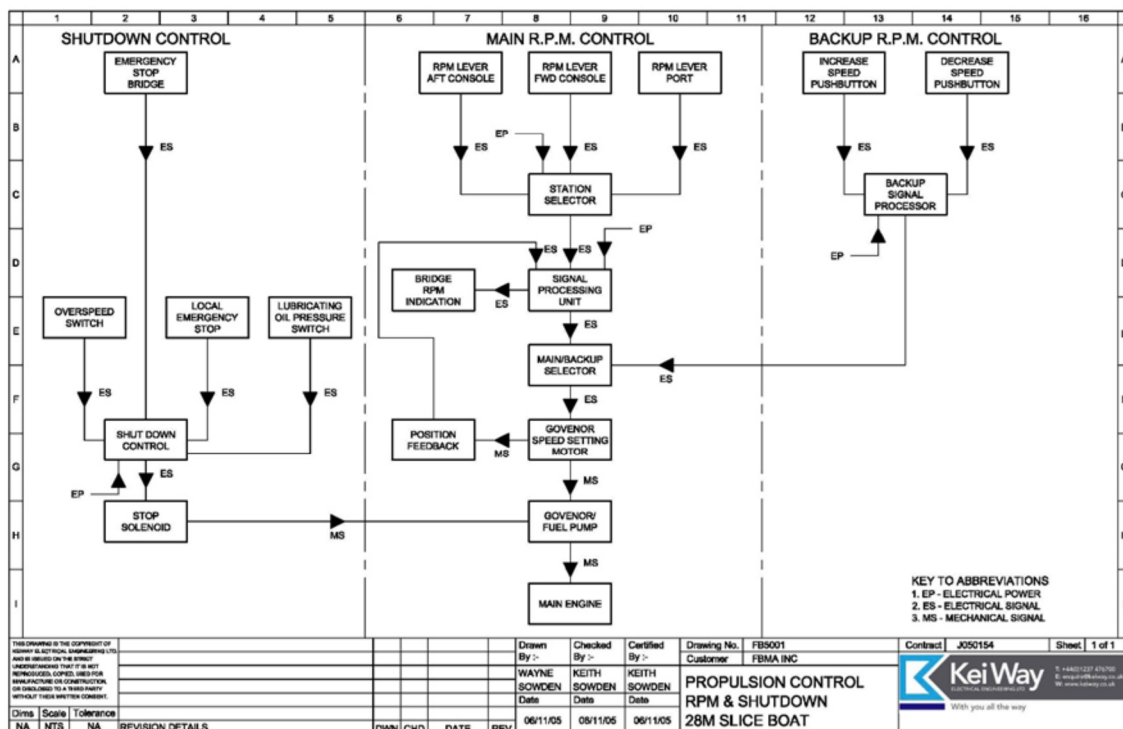
- Concept design, feasibility studies.
- High level design, single line diagrams, short circuit calculations, and discrimination reports, cable routing diagrams.
- Equipment specification and selection.
- Detailed design drawings to include vessel cabling and connection diagrams for installation purposes.
- Detailed design of switchboard and control panel schematic and arrangement drawings.
- All design work is produced in accordance with classification society, flag and statutory rule requirements.





KeiWay Electrical Engineering Ltd can provide a professional marine electrical consultancy service including but not limited to the following: -

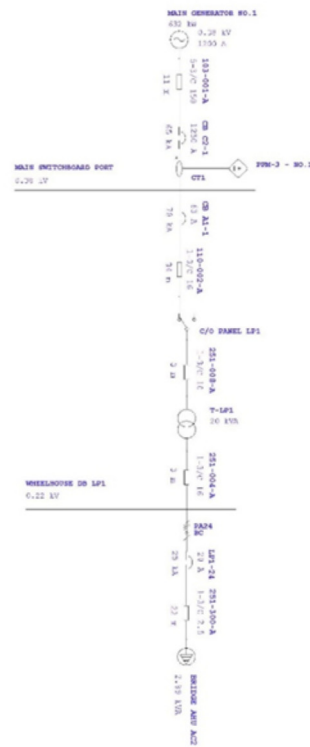
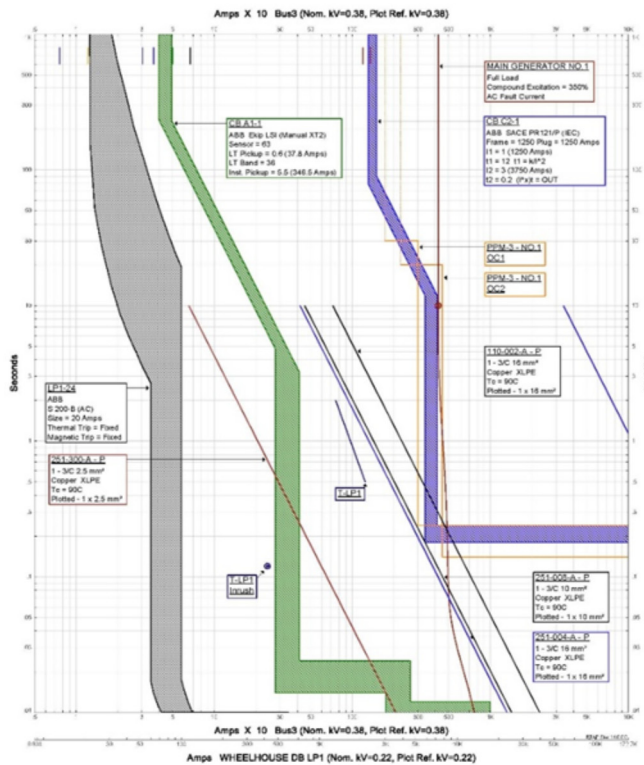
- Project specifications.
- Plan approval services.
- Failure Mode Effect Analysis Studies.
- Technical authoring.
- Condition surveys.
- Fault finding and technical assessments.





KeiWay Electrical Engineering Ltd can provide a professional marine electrical analysis service including but not limited to the following: -

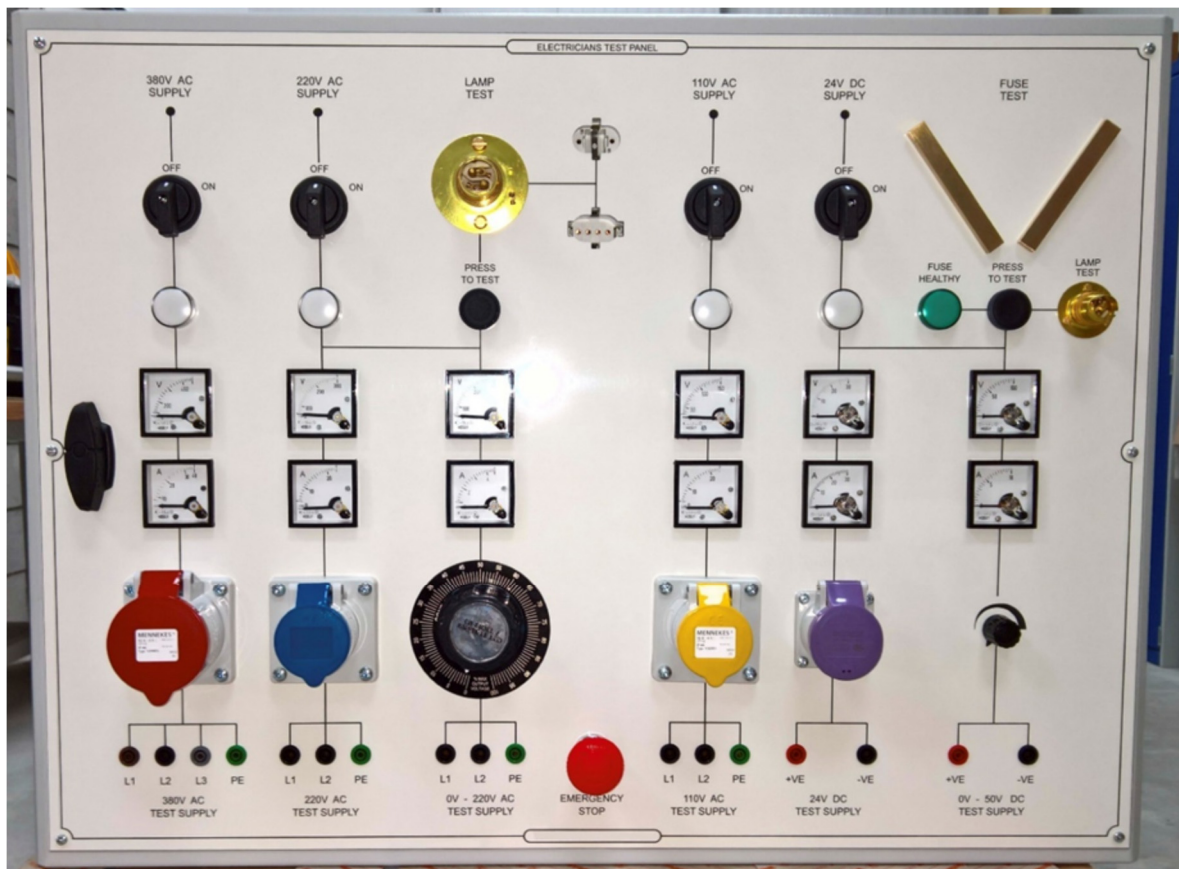
- Short circuit analysis.
- Arc flash analysis.
- Network discrimination analysis.
- Load flow analysis.
- Battery charge/discharge analysis.
- Motor starting analysis.
- Power quality analysis
- Harmonic content analysis





KeiWay Electrical Engineering Ltd manufacture bespoke marine electrical switchboards and control panels utilising the latest technology to your exact requirements including but not limited to the following: -

- Main switchboards.
- Emergency switchboards.
- DC switchboards.
- Lighting control panels.
- Motor starters individual, or group starter boards.
- Navigation light panels.
- Alarm and monitoring systems.
- Process control systems.





Clients & Projects

Clients

FBMA (Fairey Brooke Marine Aboitiz) (Philippines)
Devonport Yachts
Babcock Marine
Gardline Shipping
Technip
Houlder Ltd
Supacat
Griffon Hoverworks
Star Reefers
Etech Maritim (Palma)
BMT Defense
BA Systems
Composite Works (La Ciotat)
BCTQ

Projects

FMEA analysis and trial coordination and commissioning of new build high speed vessels.
Production of test and sea trials procedures and commissioning of new build vessels.
Design and manufacture of electrical control and distribution panels for new build vessels.
Short circuit study in support of refit works.
Design and drawing work, PLC control and emergency stop systems for new pipe laying vessels.
Survey, short circuit and discrimination analysis in support of refit works for dive vessel and car ferry.
High level concept electrical design for wind farm support vessel.
Detailed electrical design and drawing package for military hovercraft.
Refit feasibility studies and electrical design package for reefer vessels.
High level & detailed electrical design packages for luxury yacht main switchboards and refit projects.
Short circuit, discrimination and arc flash analysis for new build project.
Arc flash analysis for survey and fisheries protection class vessels.
Electrical survey and pre-purchase condition report of large luxury yacht.
Electrical consultancy support including electrical specifications, plan approval and vessel surveys.